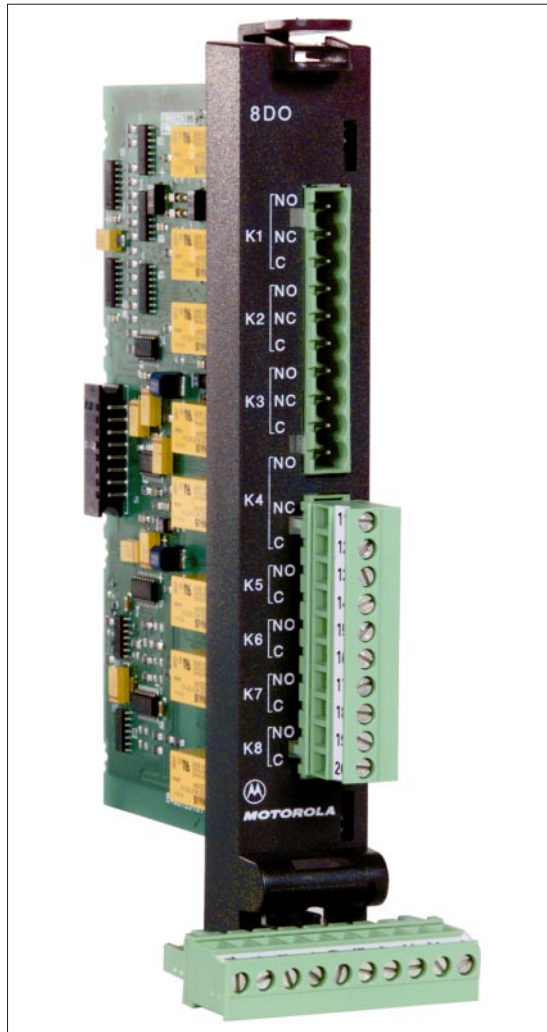


8DO MODULE

for the MOSCAD-L RTU

The 8 Digital Output (DO) module is an accessory to the MOSCAD-L RTU that provides 8 relay outputs that may be connected, and used, to control other on-site electrical devices. Examples include lighting circuits, control circuits, and interpose relays.



Features / Benefits

Data Output

Under the control of the defined application program, the CPU module will move the current status of the data variables in the CPU module that are associated with the relays to the 8DO module via the motherboard. The 8DO module then opens or closes relays according to the status of the data.

◆ *The application in the CPU module determines the state of the output relays using data obtained throughout the system.*

Electrically-Energized Relays

The electrically-energized relay module has 8 conventional relays. These relays have a single coil each. The relays remain closed for as long as their coils are energized.

◆ *This type of relay module allows user control when it is mandatory that the relays open when power is lost or control is disrupted.*

Magnetically-Latched Relays

The magnetic-latched relay module has 8 latch-type relays. These relays have two coils each plus a small internal magnet. The relay is closed by briefly energizing the Set coil—the magnet then keeps the relay closed. Similarly, the relay is opened by briefly energizing the Reset coil.

◆ *This type of relay module should be used when prolonged operation from the backup battery power source is expected. There is no sustained current drain from the battery to keep the relay(s) closed.*

Activation Feedback

Both types of 8DO modules have secondary contacts on the relays that provide positive feedback that the relay has closed.

◆ *This feedback may be treated as digital inputs and incorporated into the Application when required.*



MOTOROLA

8DO Module

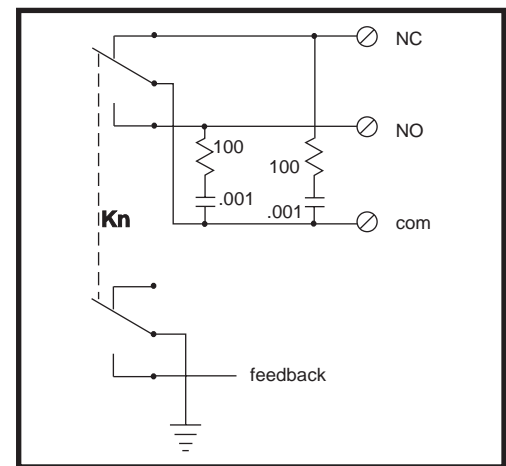
for the MOSCAD-L RTU

SPECIFICATIONS

Specifications	
Output:	8 relays, all either Magnetically-Latched (ML) or Electrically-Energized (EE) 4 with Form A contacts, 4 with Form C contacts
Contact Rating:	60 W or 125 VA, not to exceed 2 amp and 250 volts
Output Protection:	1 kVdc/0.7 kVac between contacts, 1 kV between contact & coil per ANSI C37.90.1-1989A
Diagnostic:	LEDs on CPU module: 8 relay status

Specifications subject to change without notice

Connections Chart							
Term	Function	Term	Function	Term	Function	Term	Function
1	K1-NO	6	K2-com	11	K4-NC	16	K6-com
2	K1-NC	7	K3-NO	12	K4-com	17	K7-NO
3	K1-com	8	K3-NC	13	K5-NO	18	K7-com
4	K2-NO	9	K3-com	14	K5-com	19	K8-NO
5	K2-NC	10	K4-NO	15	K6-NO	20	K8-com



Motorola U.S.A.
1301 E. Algonquin Road
Schaumburg, Illinois 60196
Phone: 1-800-247-2346

Motorola Latin America Division
899 W. Cypress Creek Rd. #200
Fort Lauderdale, FL 33309
Phone: 1-954-928-2000

Motorola Asia Pacific Ltd.
39/FL NatWest Tower
Times Square, Causeway Bay
Hong Kong, PRC-SAR
Phone: 852-2966-4366

Motorola UK Ltd.
Jays Close, Viable Industrial Estate
Basingstoke, Hampshire
RG22 4PD
Phone: +44-1256-484341

Motorola Canada Ltd.
3900 Victoria Park Avenue
North York, Ontario M2H 3H7
Phone: 1-800-268-5758

©, Motorola and MOSCAD are trademarks of Motorola Inc. ■ All company and product names are trademarks or registered trademarks of their respective companies. ■ ©1998 by Motorola Inc. ■ Printed in U.S.A. ■ Produced by Customer Communications

Motorola is an Equal Employment Opportunity/Affirmative Action Employer
Visit us on the Web at <http://www.mot.com/MOSCAD>