

# 8DO DIGITAL OUTPUT MODULE

## FOR THE MOSCAD RTU

The 8 Digital Output module is an accessory to the MOSCAD RTU family that provides eight relay outputs that may be connected to, and used to control, on-site high-current electrical devices. Examples include lighting circuits, pumps, and motors.

### FEATURES/BENEFITS



#### Data Output

Under the control of the defined Application Program, the CPU module will move the current status of the data variables in the CPU module that is associated with the relays to the 8DO module via the motherboard. The 8DO module then opens or closes the relays according to the status of this data.

- ▶ *The application in the CPU module, using data obtained throughout the system, determines the state of the output relays.*

#### Electrically-Energized Relays

The 8DO module has eight high-current conventional relays. These relays each have a single coil. The relays remain closed for as long as their coils are energized.

- ▶ *This type of relay provides user control when it is mandatory that the relays open when power is lost or control otherwise disrupted.*

#### Activation Feedback

The 8DO module has secondary contacts on the relays that provide positive feedback that the relay has closed.

- ▶ *This feedback may be treated as digital inputs and incorporated into the Application when required.*

#### Packaging

The module is packaged in a plastic housing that plugs and locks into the motherboard. Wire connections (up to 14 ga. wire) are made to removable connectors on the face of the module. No jumpers, calibration pots, etc. are located on the module (any calibration is done electronically via software from the ToolBox program.)

- ▶ *Modularity allows the MOSCAD RTU to be easily expanded as system wants and needs change and makes field module replacement quick and easy.*

# 8DO Digital Output Module

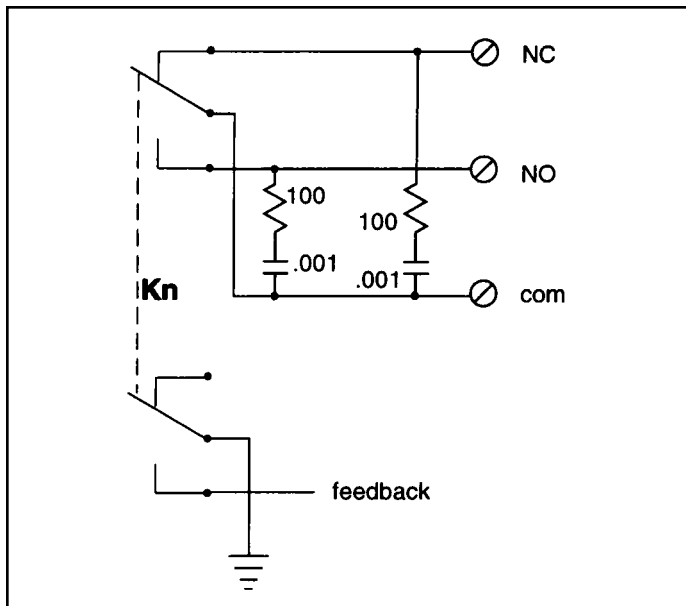
## SPECIFICATIONS

### GENERAL SPECIFICATIONS

<b>Order:</b>	Plant Installed:	V508
	Field Installed:	FLN2295
<b>Relays:</b>	Number & Type:	8, electrically energized
	Contact Rating:	10 Amp @ 277 Vac; 10 Amp @ 30 Vdc
<b>Output Protection:</b>	Per ANSI/IEEE C37.90a-1989; High Frequency SWC=2.5 kV; Fast transient = 4 kV Per ANSI/IEEE C62.41: Class B2 = 4 kV/2 kA Per IEC 801-2, IEC 255-22: ESD Class 4 = 8/15 kV Per IEC 801-3, IEC 255-22-3: EMI Class 3 = 10 V/m Per IEC 801-4: Fast transient Level 4 = 2 kV Per IEC 255-4: High Frequency Class 3 = 2.5/1 kV; Impulse Class 3 = 5 kV	
<b>Diagnostic:</b>	20 LEDs:	8 for Outputs, 1 each for Module Fail and No Clock, 10 spare
<b>Power:</b>	5 Vdc:	15 ma
	12 Vdc:	5 ma (18 ma with LEDs on) plus 65 ma (max.; 44 ma typical) per energized relay
<b>Environment</b>	Humidity:	0-90% @ +50°C
	Temperature:	-30 to +60°C

Specifications subject to change without notice.

#### Typical Output Circuit



#### Connections Chart

Term	Function	Term	Function
1	K1 NO	13	K5 NO
2	K1 com	14	K5 com
3	K1 NC	15	K5 NC
4	K2 NO	16	K6 NO
5	K2 com	17	K6 com
6	K2 NC	18	K6 NC
7	K3 NO	19	K7 NO
8	K3 com	20	K7 com
9	K3 NC	21	K7 NC
10	K4 NO	22	K8 NO
11	K4 com	23	K8 com
12	K4 NC	24	K8 NC



#### Support Services

Wherever Motorola sells, our product is backed by service. Our products are serviced throughout the world by a wide network of company or authorized independent distributor service organizations.



**MOTOROLA**

Motorola U.S.A.  
1301 E. Algonquin Road  
Schaumburg, Illinois 60196  
In the U.S. call: 1-800-247-2346

Motorola Canada Limited  
3900 Victoria Park Avenue  
North York, Ontario M2H 3H7  
In Canada call: 1-800-268-5758

Outside the U.S. and Canada call: (847) 538-6602

©, and Motorola are trademarks of Motorola, Inc. ■ © 1996 by Motorola Inc. ■ Printed in U.S.A. ■ (9708) Merit ■ Produced by Customer Communications.

Motorola is an Equal Employment Opportunity/Affirmative Action Employer