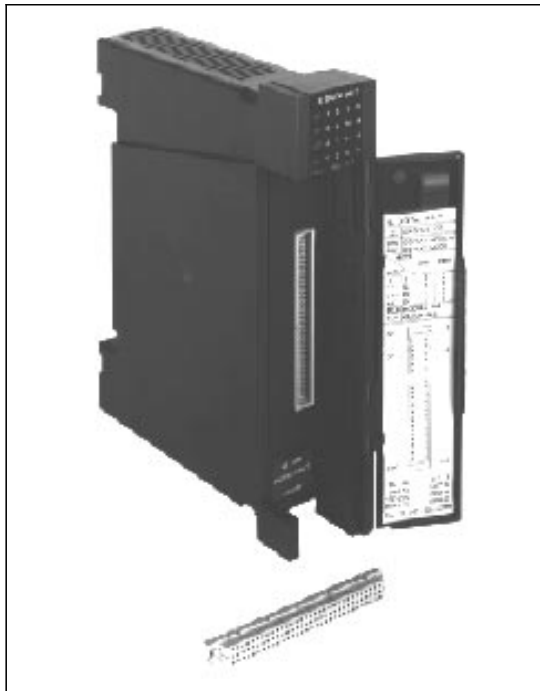


60DI Digital Input Module

for the MOSCAD RTU

FEATURES/BENEFITS

The 60 Digital Input module is an accessory to the MOSCAD RTU family that permits up to 60 dry-contact status inputs, from switches or relays in other on-site equipment, to be connected to the RTU. Examples include site or equipment failure alarms, motor controller alarms, and equipment malfunction alarms.



Data Input

Under the control of the defined Application Program, the CPU module in the RTU will read the current instantaneous status of one or more of the 60 inputs, and move that data from the 60DI module into the CPU module via the motherboard.

◆ *This data may then be used by the Application Program in the required manner to perform the desired functions.*

Low-Speed Counters

Each of the 60 status inputs may be used as low-speed counter inputs. The totalizing may be done within the CPU module under Application control. The Application must read the associated input(s) in a timely manner to assure not missing any input event.

◆ *Any number of counter inputs are easily obtained.*

Time-Tagging

Any of the 60 status inputs may be defined to tag the time of the input event with one millisecond resolution.

◆ *This time may then be read and used in sequence-of-event actions, etc. or used later for historical reports.*

Packaging

The module is packaged in a plastic housing that plugs and locks into the motherboard. All wire connections must be made by small size wire (20 ga. typical). No jumpers, calibration pots, etc. are located on the module (any calibration is done electronically via software from the Tool-Box program.)

◆ *Modularity allows the MOSCAD RTU to be easily expanded as system wants and needs change and makes field module replacement quick and easy.*

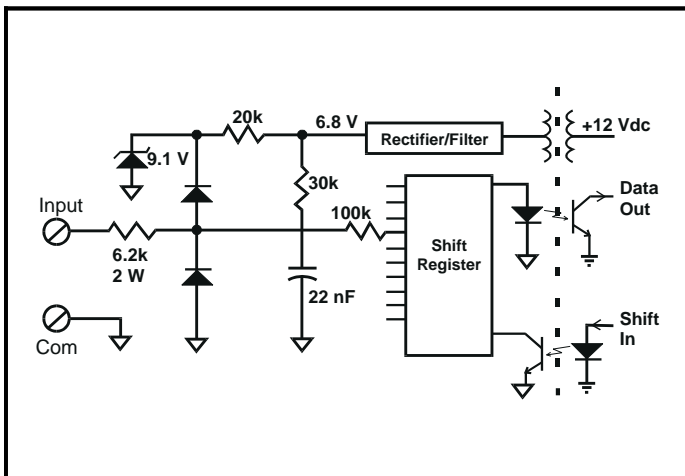


MOTOROLA

Specifications

Order	Plant Installed: V380 Field Installed: FLN2025
Inputs	60; may be counters (50 Hz or less)
Source Resistance	Closed: <4 kΩ Open: >70 kΩ
Input Isolation	On-board DC/DC converter; 2.5 kV optical isolation
Input Protection	2.5 kV SWC per ANSI C37.90.1-1989 (requires termination panel)
Diagnostic	20 LEDs: 16 for inputs in 4 groups, 2 for input groups 1 thru 4, 1 each for Module Fail and No Clock
Power	5 Vdc: 15 ma 12 Vdc: 25 ma (65 ma with LEDs on)
Environment	Humidity: 0 to 90% @ +50°C Temperature: -30 to +60°C

Typical Module Input Circuit



Connections Chart

Function	Terminal	Function	Terminal
In 1	1C	In 2	1A
In 3	2C	In 4	2A
In 5	3C	In 6	3A
In 7	4C	In 8	4A
In 9	5C	In 10	5A
In 11	6C	In 12	6A
In 13	7C	In 14	7A
In 15	8C	In 16	8A
common	9C	In 17	9A
In 18	10C	In 19	10A
In 20	11C	In 21	11A
In 22	12C	In 23	12A
In 24	13C	In 25	13A
In 26	14C	In 27	14A
In 28	15C	In 29	15A
In 30	16C	In 31	16A
In 32	17C	common	17A
In 33	18C	In 34	18A
In 35	19C	In 36	19A
In 37	20C	In 38	20A
In 39	21C	In 40	21A
In 41	22C	In 42	22A
In 43	23C	In 44	23A
In 45	24C	In 46	24A
In 47	25C	In 48	25A
common	26C	In 49	26A
In 50	27C	In 51	27A
In 52	28C	In 53	28A
In 54	29C	In 55	29A
In 56	30C	In 57	30A
In 58	31C	In 59	31A
In 60	32C	common	32A



Support Services

Wherever Motorola sells, our product is backed by service. Our products are serviced throughout the world by a wide network of company or authorized independent distributor service organizations. Specifications subject to change without notice.



Winner 1988



MOTOROLA

1301 E. Algonquin Road
Schaumburg, Illinois 60196
In the U.S. call: 1-800-247-2346
Outside the U.S. call: (708) 576-3107

©, and Motorola are trademarks of Motorola, Inc. ■ © 1994 Motorola, Inc. ■ Printed in U.S.A. ■ Produced by Customer Communications. 36 USC 380
Motorola is an Equal Employment Opportunity/Affirmative Action Employer